



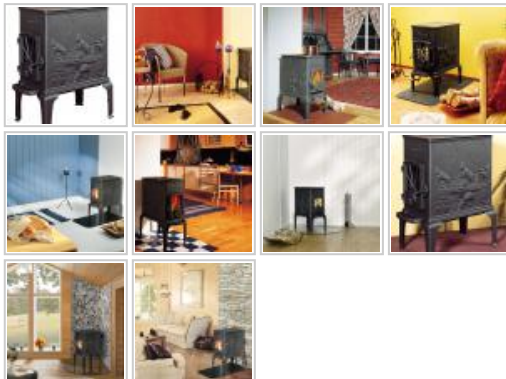
<http://www.dovre.be>

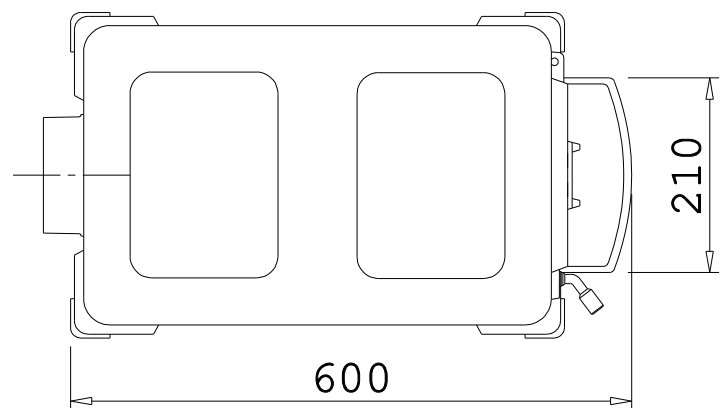
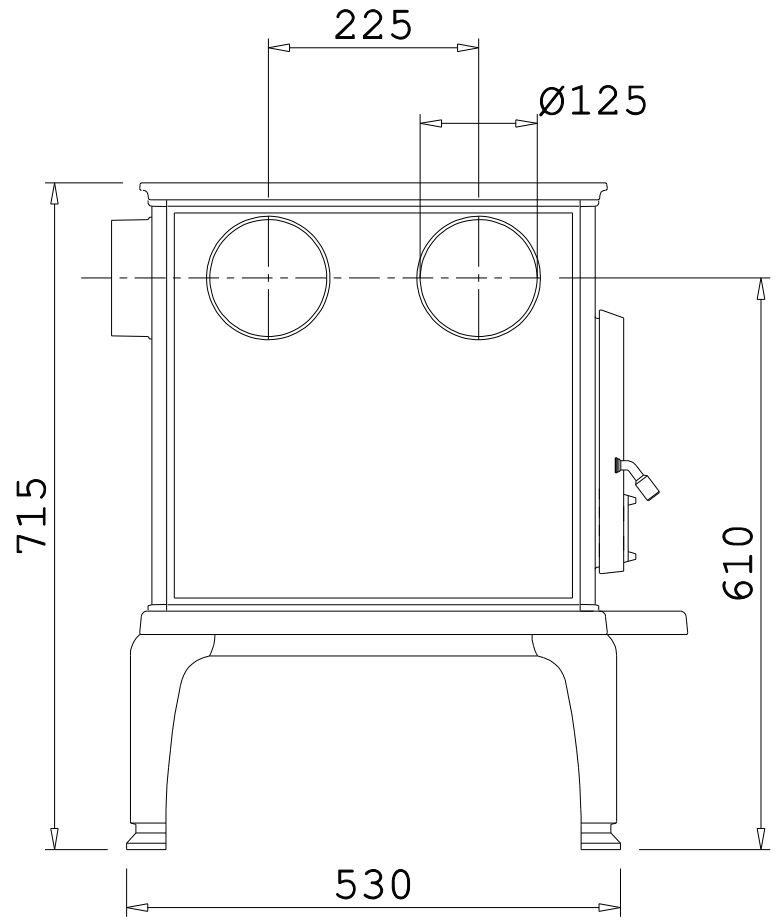
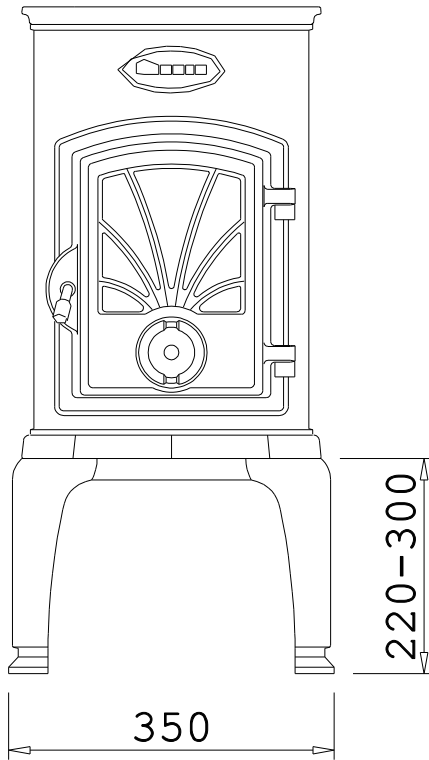
Technical Data: 40CB

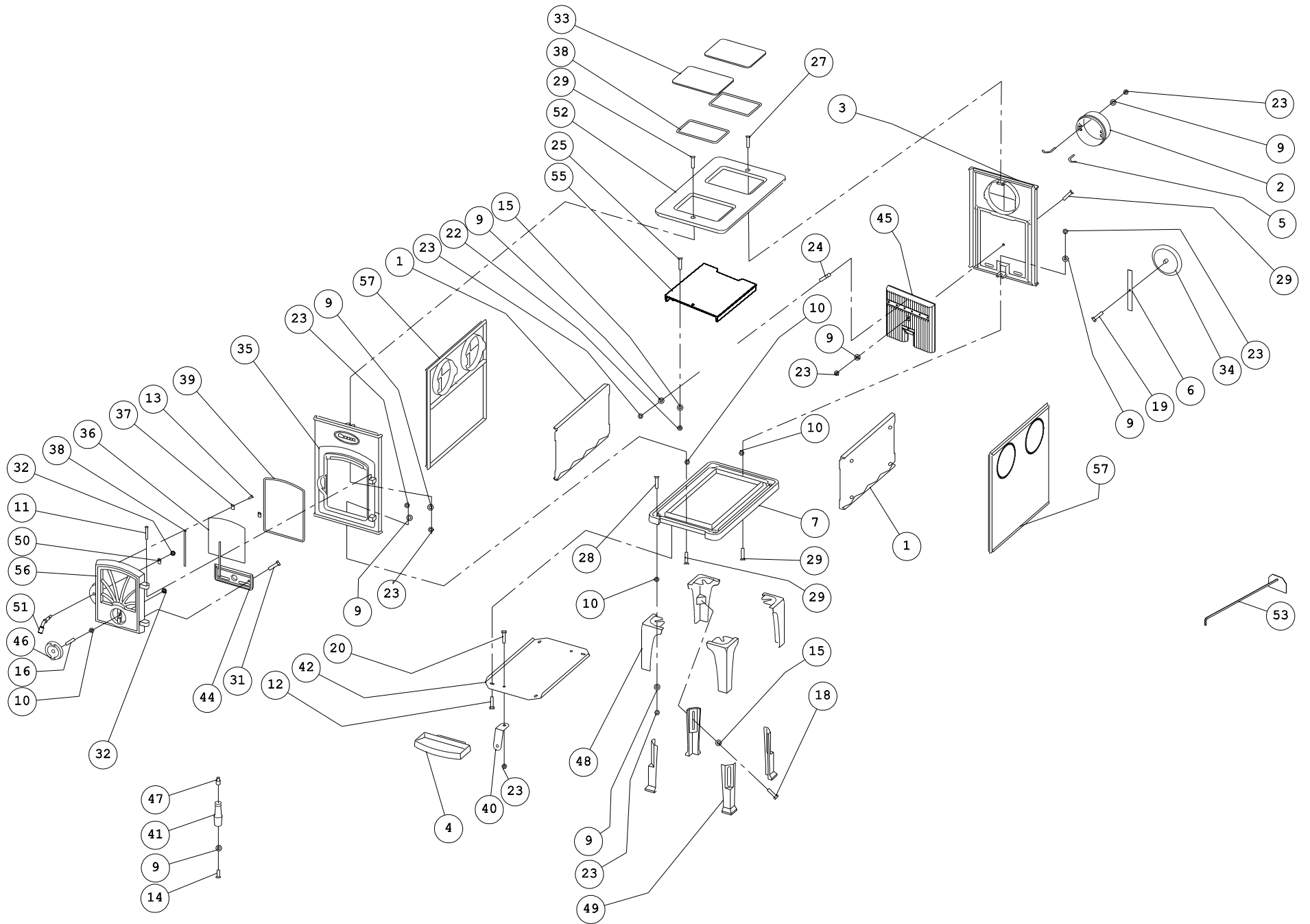
Traditional wood stove with Norwegian patterns and adjustable legs.



| | |
|------------------------------------------------|----------------------------------------|
| product name: | 40CB |
| series | 40CB |
| type | freestanding |
| style | classic |
| combustible | wood |
| code: | 01.90418.000 |
| dimensions WxHxD: | 600 x 715/775 x 350 mm |
| weight: | 85 kg |
| length of logs: | 40 cm |
| nominal performance: | 6 kW |
| minimum performance: | 2 kW |
| maximum performance: | 8 kW |
| capacity: | 120 m ³ |
| efficiency: | 82,4 % |
| CO emissions (13% O₂): | 0.12 % |
| dust particles: | 16 (mg/Nm ³) |
| Ø connection: | 125 mm |
| height of connection: | 610 mm |
| location connection: | connection on the side, on top or rear |
| average temp. of flue gasses: | 384 °C |
| minimum pression: | 11 mbar |
| flue gas volume: | 6.4 g/s |
| distance from flammable objects: | 400 mm |
| behind: | |
| distance from flammable objects: side: | 400 mm |
| distance from flammable objects: front: | 800 mm |
| heat shield: | none |
| floor: | refractory bottom |
| e-mail: | yes |







| | | | | | |
|----|--------------|-----------------------------------------|-------------------------------------|-------------------------------|-------------------------------------|
| 1 | 03.08318.002 | 612 ZIJKANT BINNEN | PLAQUE LATERALE INTERIEURE | INNER SIDE PLATE | 612 SEITENPLATTE INNEN |
| 2 | 03.00326.020 | AANSLUITKRAAG Ø125 UITW. 40CB ANTRACIET | RACCORD Ø125 | COLLAR Ø125 | ANSCHLUSSKRAGEN Ø125 |
| 3 | 03.02027.102 | ACHTERKANT 40 CB | ACHTERKANT 40 CB | BACK PLATE 40CB | ACHTERKANT 40 CB |
| 4 | 03.05605.020 | ASVANG 40CB | BAVETTE 40CB | ASH LIP 40CB | ASVANG 40CB |
| 5 | 03.07107.100 | BEVESTIGINGSBEUGEL KRAAG | PIECE DE CONNEXION BUSE | CONNECTING PIECE COLLAR | BEFESTIGUNGSCLIP |
| 6 | 03.07412.000 | BEVESTINGSPLAATJE 500GA | PLAQUETTE DE FIXATION 500GA | FIXING PLATE 500 | BEVESTINGSPLAATJE 500GA |
| 7 | 03.09340.005 | BODEMPLAAT 40CB | BODEMPLAAT 40CB | BOTTOM | BODEMPLAAT 40CB |
| 8 | 03.16503.000 | D125 Ø10XØ21 SLUITRING | RONDELLE DIN 125 Ø10xØ21 | WASHER DIN 125 Ø10xØ21 | UNTERLEGSCHIEBE DIN 125 Ø10xØ21 |
| 9 | 03.16502.000 | D125 Ø8XØ17 SLUITRING * | RONDELLE DIN 125 Ø8x17 | WASHER DIN 125 Ø8x17 | UNTERLEGSCHIEBE DIN 125 Ø8x17 |
| 10 | 03.17102.000 | D439 M8 LAGE ZESKANTMOER * | ECROU DIN 439 M8 | NUT DIN 439 M8 | MUTTER DIN 439 M8 |
| 11 | 03.17516.000 | Ø5.9 X 35 RVS BOLKOPKLINKNAGEL | RIVET Ø6x35 | RIVET Ø6x35 | RIVET 6x35 |
| 12 | 03.18002.000 | D7516A M6X12 BOLCIL.KK.SNIJSCHR. | VIS DIN 7516A M6x12 | SCREW DIN 7516A M6x12 | SCHRAUBE DIN 7516A M6x12 |
| 13 | 03.20310.000 | D7985 M6X10 BOLCIL.KK.SCHROEF * | VIS DIN 7985 M6x10 | SCREW DIN 7985 M6x10 | SCHRAUBE DIN 7985 M6x10 |
| 14 | 03.20307.000 | D7985 M8X50 BOLCIL.KK.SCHROEF * | VIS DIN7985 M8X50 | SCREW DIN 7985 M8X50 | SCHRAUBE DIN 7985 M8X50 |
| 15 | 03.18701.000 | D9021A Ø6XØ18 SLUITRING * | RONDELLE DIN 9021A Ø6 | WASHER DIN 9021A Ø6XØ18 | UNTERLEGSCHIEBE DIN 9021A Ø6 |
| 16 | 03.21721.000 | D916 M8X50 STELSCH.BI.ZESK * | VIS DIN 916 M8X50 | SCREW DIN 916 M8X50 | GEWINDESTIFT DIN 916 M8X50 |
| 17 | 03.19328.000 | D933 M10X75 ZESKANTTAPABOUT * | VIS DIN 933 M10X75 | SCREW DIN 933 M10X75 | SCHRAUBE DIN 933 M10X75 |
| 18 | 03.19304.000 | D933 M6X16 ZESKANTTAPABOUT * | BOULON DIN 933 M6x16 | BOLT DIN 933 M6x16 | BOLZEN DIN 933 M6x16 |
| 19 | 03.19306.000 | D933 M6X25 ZESKANTTAPABOUT * | BOULON DIN 933 M6x25 | BOLT DIN 933 M6x25 | BOLZEN DIN 933 M6x25 |
| 20 | 03.19311.000 | D933 M8X16 ZESKANTTAPABOUT * | BOULON DIN 933 M8x16 | BOLT DIN 933 M8x16 | BOLZEN DIN 933 M8x16 |
| 21 | 03.19406.000 | D934 M10 ZESKANTMOER * | D934 M10 | NUT DIN 934 M10 | D934 M10 MUTTER |
| 22 | 03.19410.000 | D934 M6 ZESKANTMOEREN * | BOULON DIN 934 M6 | NUT DIN 934 M6 | MUTTER DIN 934 M6 |
| 23 | 03.19401.000 | D934 M8 ZESKANTMOER ** | ECROU DIN 934 M8 | NUT DIN 934 M8 | MUTTER DIN 934 M8 |
| 24 | 03.19508.000 | D939 M8X25 TAPEIND * | GOUJON DIN 939 M8X25 | STUD DIN 939 M8X25 | STIFTSCHRAUBE DIN 939 M8X25 |
| 25 | 03.19712.000 | D963 M6X16 PLATV.SCHR.ZGS * | VIS DIN 963 M6x16 | SCREW DIN 963 M6x16 | SCHRAUBE DIN 963 M6x16 |
| 26 | 03.19716.000 | D963 M6X25 PLATV.SCHR.ZGS * | VIS DIN 963 M6x25 | SCREW DIN 963 M6x25 | SCHRAUBE DIN 963 M6x25 |
| 27 | 03.19718.000 | D963 M6X35 PLATV.SCHR.ZGS * | VIS DIN 963 M6x35 | SCREW DIN 963 M6x35 | SCHRAUBE DIN 963 M6x35 |
| 28 | 03.19733.000 | D963 M8X30 PLATV.SCH.ZGSN. * | VIS DIN 963 M8x30 | SCREW DIN 963 M8x30 | SCHRAUBE DIN 963 M8x30 |
| 29 | 03.19735.000 | D963 M8X40 PLATV.SCHR.ZGS * | VIS DIN 963 M8x40 | SCREW DIN 963 M8x40 | SCHRAUBE DIN 963 M8x40 |
| 31 | 03.20803.000 | D966 M6X20 BOLVERZ KK.SCHROEF * | DIN 966 M6X20 VIS A METAUX | DIN 966 M6X20 SREW | DIN 966 M6X20 SCHRAUBEN |
| 32 | 03.20010.000 | D980 M8 ZELFB.MOER CLEVELOCK ** | ECROU DE VERROUILLAGE DIN 980 M8 | LOCKING NUT DIN 980 M8 | SICHERUNGSMUTTER DIN 980 M8 |
| 33 | 03.15314.102 | DEKSEL 40CB (RECHTHOEKIG) | COUVERCLE 40CB (CARRE) | DEKSEL 40CB (RECHTHOEKIG) | DEKSEL 40CB (RECHTHOEKIG) |
| 34 | 03.15316.020 | DEKSEL 40CB (ROND) ANTRACIET | DEKSEL 40CB (ROND) ANTRACIET | DEKSEL 40CB (ROND) ANTRACIET | DEKSEL 40CB (ROND) ANTRACIET |
| 35 | 03.24399.005 | FRONT 40CB | FRONT 40CB | FRONT 40CB | FRONT 40CB |
| 36 | 03.26056.000 | GLAS 40CB 164X171X4 R | VITRE CERAMIQUE 40CB | CERAMIC GLASS 40CB | GLASSCHIEBE 40CB |
| 37 | 03.26112.000 | GLASBEVESTIGING BOVEN 0007 TULIKIVI | GLASBEVESTIGING BOVEN 0007 TULIKIVI | GLASS RETAINER TOP | GLASBEVESTIGING BOVEN 0007 TULIKIVI |
| 38 | 04.26406.000 | GLASVEZELKOORD Ø6MM | JOINT FIBRE CERAMIQUE Ø6MM | GLASS FIBER ROPE 6MM | GLASFASERSCHNUR 6MM |
| 39 | 04.26408.000 | GLASVEZELKOORD Ø8MM | JOINT FIBRE CERAMIQUE Ø8MM | GLASSFIBER ROPE 8MM | GLASFASERSCHNUR 8MM |
| 40 | 03.27301.120 | HANDGREEPHOUDER 500 ANTRACIET | HANDGREEPHOUDER 500 ANTRACIET | HANDGREEPHOUDER 500 ANTRACIET | HANDGREEPHOUDER 500 ANTRACIET |
| 41 | 03.27506.000 | HANDVAT HOUT 500 GROOT | POIGNEE BOIS 500 | HANDLE (WOOD) 500 | TUERGRIFF HOLZ 500 |
| 42 | 03.28029.000 | HITTESCHILD BODEM 600 | PLAQUE DE PROTECTION 600 | HEATSHIELD BOTTOM 600 | HITTESCHILD BODEM 600 |
| 43 | 03.37212.000 | LUCHTDOORLAAT 40CB | CONDUIT D'AIR 600 | AIR INLET 600 | LUFT GELEITER 40CB |
| 44 | 03.37328.000 | LUCHTGELEIDER 40CB | CONDUIT D'AIR 40CB | AIR CONDUCTOR 40CB | LUCHTGELEIDER 40CB |
| 45 | 03.37634.000 | LUCHTKOKER 600CB | CONDUIT PASSAGE D'AIR 600 | AIR CHANNEL 600 | LUCHTKOKER 600CB |
| 46 | 03.37921.005 | O37921.0 LUCHTSCHUIF ASLADE 500 | REGLETTE D'AIR CENDRIER 500 | DRAFT CONTROL ASHDOOR | O37921.0 LUCHTSCHUIF ASLADE 500 |
| 47 | 03.46527.041 | OPVULSTUK GEZWARZ 450/750 *Z | CONNECTION PIÈCE | CONNECTOR PIECE | TEIL FUER TUEGRIFF |

| | | | | | |
|----|--------------|--------------------------------|------------------------------------|------------------------------------|------------------------------------|
| 48 | 03.52208.020 | POOT BOVEN 40CB ANTRACIET | PIED 40CB HAUT | LEG 40CB UPPER PART | POOT BOVEN 40CB ANTRACIET |
| 49 | 03.52209.020 | POOT ONDER 40CB ANTRACIET | PIED 40CB BAS | LEG 40CB LOWER PART | POOT ONDER 40CB ANTRACIET |
| 50 | 03.64220.000 | SLUITLIP DEUR 500 | PLAQUE DE FERMETURE PORTE 500 | FIXING BAR FOR DOOR | VERSCHLUSS TEIL TÜR 500 |
| 51 | 03.64221.141 | SLUITSTUK 450/500/750 ZWART *Z | PIECE DE FERMETURE | CLOSING PIECE 450/500/750 BLACK *Z | VRSCHLUSS TEIL 450/500/750 SCHWARZ |
| 52 | 03.69168.002 | TOPPLAAT 40CB | TOPPLAAT 40CB | TOPPLAAT 40CB | TOPPLAAT 40CB |
| 53 | 70.59209.000 | TREKSCHEPJE 600 (VERPAKT) | RACLOIR | TREKSCHEPJE 600 (VERPAKT) | TREKSCHEPJE 600 (VERPAKT) |
| 54 | 03.72301.000 | U-STUK (DEKSELTREKKER) | U-STUK (DEKSELTREKKER) | U-PIECE (COVER) | U-STUK (DEKSELTREKKER) |
| 55 | 03.76123.100 | 615 TOPPLAAT BINNEN 600 | PLAQUE SUPERIEURE INTERIEURE | INNER TOP PLATE | 615 INNENPLATTE OBEN |
| 56 | 03.15713.005 | VULDEUR 40CB | VULDEUR 40CB | VULDEUR 40CB | VULDEUR 40CB |
| 57 | 03.79124.000 | ZIJKANT 40CB | PLAQUE LATERALE 40CB | SIDE PLATE 40CB | ZIJKANT 40CB |
| | 03.15317.002 | DEKSEL MET KRAAG 40CB Ø125MM | COUVERCLE AVEC RACCORD 40CB Ø125MM | COVER WITH COLLAR 40CB Ø125mm | DEKSEL MET KRAAG 40CB Ø125MM |
| | 01.91747.000 | KOOKPLAAT 40CB | PLAQUE CUISINIERE 40CB | COOKING PLATE 40CB | KOCHPLATTE 40CB |